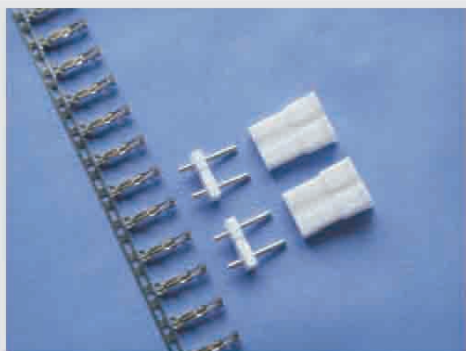


B500001

TJC2



主要技术特性 (Main Specifications)

- ▶ 适用导线规格 (Applicable wire) : AWG24#~20#
- ▶ 适用基板厚度 (Applicable PC board thickness) : 1.6mm
- ▶ 温度范围 (Temperature range) : -25℃~+85℃
- ▶ 额定电压 (Voltage rating) : 250V AC, DC
- ▶ 额定电流 (Current rating) : 5A AC, DC
- ▶ 接触电阻 (Contact resistance) : $\leq 0.02\Omega$
- ▶ 绝缘电阻 (Insulation resistance) : $\geq 1000M\Omega$
- ▶ 耐压 (Withstanding voltage) : 1500V AC/minute

材料及电镀规格 Material and Finish

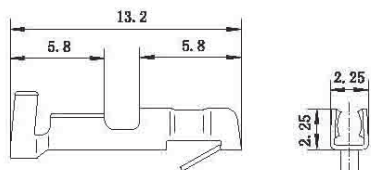
型号 Type	材料 Material	材料厚度 Material Thickness	电镀规格 Finish
插座 WAFER	塑胶 HOUSING	PA66 UL94V-0	N/A
	针PIN	黄铜 Barss	镀锡 Tin-plated
孔座 HOUSING	PA66 UL94V-0	—	N/A
端子 TERMINAL	锡青铜 Phosphor bronze	0.25mm	镀锡 Tin-plated

产品尺寸图 Product size chart

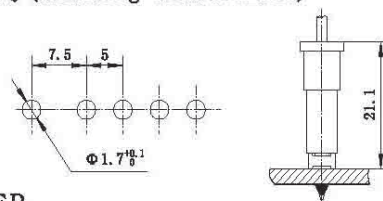
 单位: mm 一般公差: ± 0.20

TERMINAL

B500001-4 TJC2

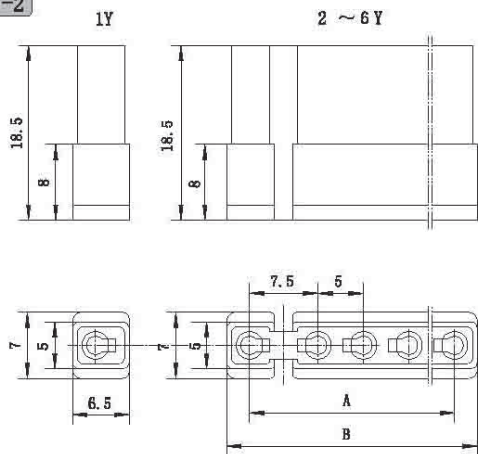


安装尺寸 (Mounting measurement)



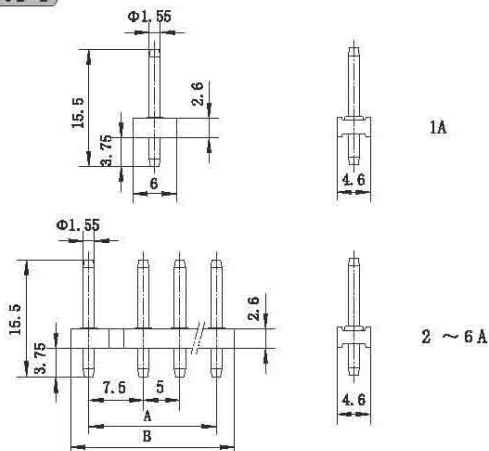
HOUSING

B500001-2



WAFER

B500001-1



HOUSING

极数 Circuits	型号 Type	尺寸 (Dimensions) mm		备注型号 P. S. Type
		A	B	
1	B500001-2-01	-	-	TJC2-1Y
2	B500001-2-02	7.5	12.5	TJC2-2Y
3	B500001-2-03	12.5	17.5	TJC2-3Y
4	B500001-2-04	17.5	22.5	TJC2-4Y
5	B500001-2-05	22.5	27.5	TJC2-5Y
6	B500001-2-06	27.5	32.5	TJC2-6Y

WAFER

极数 Circuits	型号 Type	尺寸 (Dimensions) mm		备注型号 P. S. Type
		A	B	
1	B500001-1-01	-	-	TJC2-1A
2	B500001-1-02	7.5	12.5	TJC2-2A
3	B500001-1-03	12.5	17.5	TJC2-3A
4	B500001-1-04	17.5	22.5	TJC2-4A
5	B500001-1-05	22.5	27.5	TJC2-5A
6	B500001-1-06	27.5	32.5	TJC2-6A